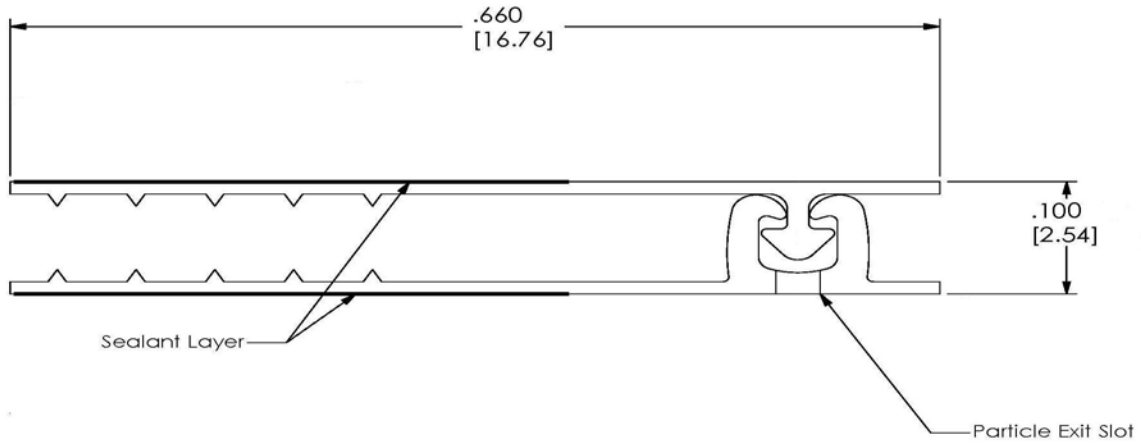


## ZIP-PAK ZIPPER SPECIFICATIONS



Part Number: **305-003**

**DESCRIPTION**

POWDER PROOF  
GRIP STRIPS  
SINGLE ZIPPER

**STANDARD PACKAGING**

**SPOOL**  
PLASTIC  
FLANGE DIAMETER 19¼"  
(50.2 cm)  
CORE LENGTH 14¼"  
(36.2 cm)  
CORE DIAMETER 8"  
(20.3 cm)  
SHAFT OD 1½"  
(3.8 cm)

**FEATURES INCLUDED**

SEALANT LAYER #7

**TYPICAL PROPERTIES**

MATERIALS - PE

**EQUIPMENT**

FT/SPOOL 6,000  
METERS/SPOOL (1,829)  
STRETCH WRAP

**NOTES:**

ALL SPECIFICATIONS ARE  
NOMINAL VALUES

**APPLICATIONS**

**BOX**  
SPOOLS/BOX 1

**PALLET**  
SIZE 41" X 48"  
(104 cm x 122 cm)  
BOXES/PALLET 24  
FT/PALLET 144,000  
METERS/PALLET (43,891)

[ ] BRACKETED DIMENSIONS  
INDICATE MILLIMETERS

October 26, 2006

**A World of Resealable Packaging Solutions**